

Work for Friday 19th June

English -Write a journal entry for the day. Read home reader or other English reading book.

Learn these spelling words and write a sentence for each one

1/ exciting

2/ boring

3/ interesting

4/ relaxing

5/ refreshing

6/ entertaining

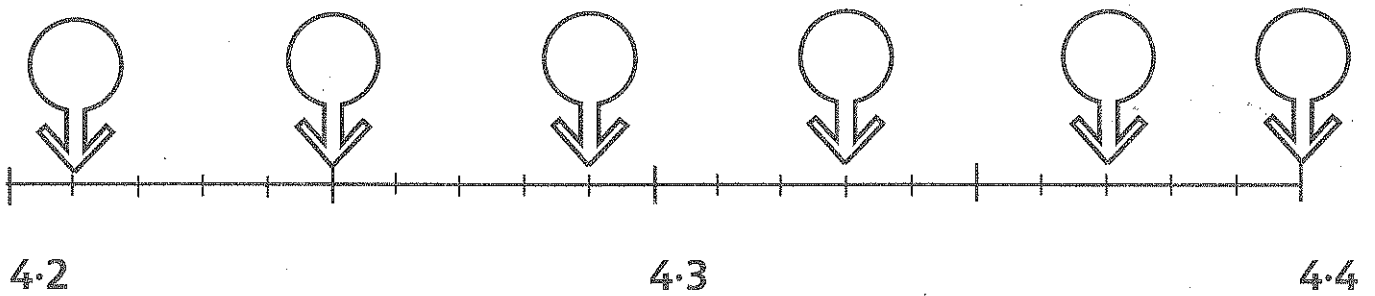
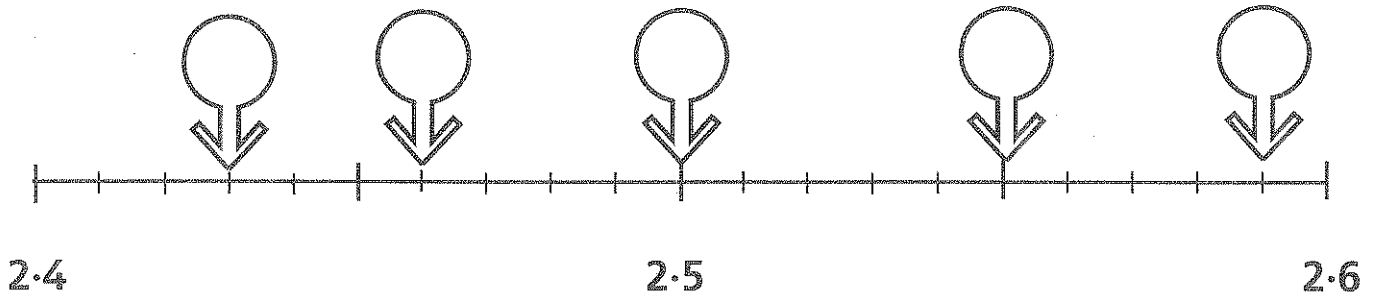
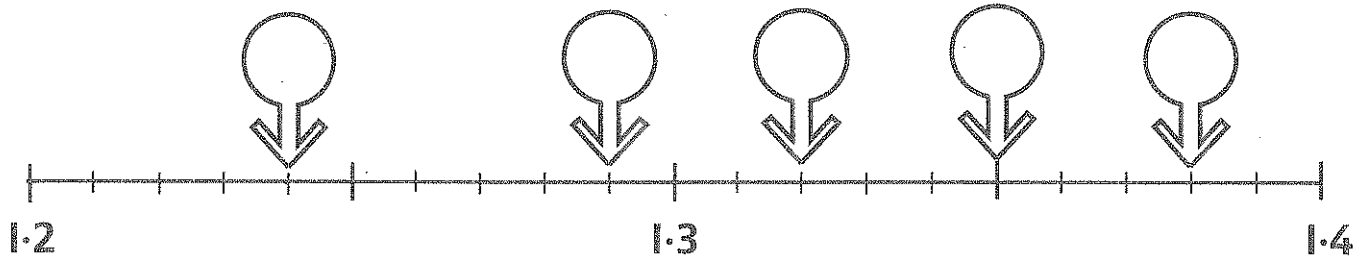
7/ amusing

8/ frightening

9/ pleasing

10/ soothing

Hundredths



Write the correct letter for each pointer.

- | | | | | | | | |
|---|------|---|------|---|------|---|------|
| A | 2.43 | B | 1.35 | C | 4.21 | D | 2.55 |
| E | 1.29 | F | 4.4 | G | 2.46 | H | 4.37 |
| I | 4.33 | J | 4.25 | K | 1.24 | L | 2.5 |
| M | 1.38 | N | 4.29 | P | 2.59 | Q | 1.32 |

Name: _____

Date: _____

Complete the table below

	CHANDA	YOU
Time of getting up		
Food for breakfast		
Getting water		
Cooking		
Food for lunch		
Work		
Bed		